

ILLUMITEX®

CORONA CX™

FEATURES & SPECIFICATIONS

MECHANICAL CONSTRUCTION

3-inch O.D. extruded 6063-T6 aluminum housing and machined aluminum end cap assemblies with stainless steel hardware and high-temperature silicone gaskets. 6-inch diameter machined aluminum mounting bases with 0.84-inch O.D. x 6-inch-long aluminum stems standard (12-inch and 18-inch stems also available).

LEDs

Illumitex Aduro VH™ LEDs in 3000K, 4000K, and 5700K CCT options as well as X5 color enhancement. Illumitex's patented Digital Distribution™ delivers 65% of the lumens within the 50° beam angle in a highly uniform, square pattern.

ELECTRICAL

Class 1 integral driver with 120-277VAC, 50/60Hz universal input. 75 watts at 700mA constant current. Minimum power factor of 0.90. SO power input cable with three separate, 18-gauge wires.

WEIGHT

15.4 lbs.

FINISH

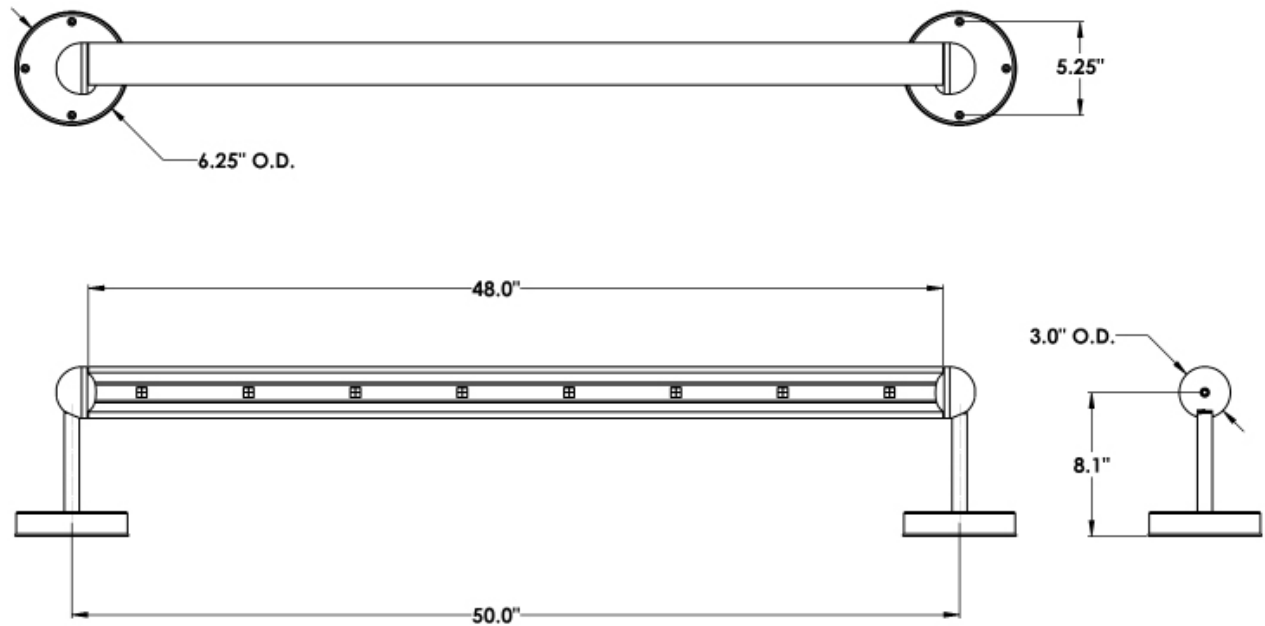
Thermoset, polyester powder-coat finish available in black, bronze, gray and white (consult factory for custom colors).

TESTING AND COMPLIANCE

- ETL and cETL listed for wet locations
- IP66 ingress protection rating
- L70 at 50,000 hours
- RoHS compliant
- 5-year warranty



DIMENSION LINE DRAWINGS



PERFORMANCE DATA

SERIES	CCT	CBCP	LUMENS	WATTAGE
CX148	3000K	4,545	3,623	75
	4000K	5,488	4,375	75
	5700K	6,260	4,990	75

PART NUMBER ORDERING GUIDE

CX	1				6		U		
SERIES	# OF BARS	BAR	# OF LEDs	COLOR TEMP	DIGITAL DIST.	WATTAGE	INPUT VOLTAGE	POWDER COAT FINISH	DIMMING
CX = Corona CX	1 = 1 Bar	24 = 24" Bar 48 = 48" Bar	4 = 4 Aduro LEDs 8 = 8 Aduro LEDs	BW = 3000K (82 CRI) DW = 4000K (78 CRI) GW = 5700K (72 CRI) X5 = X5 Color Enhancement	6 = DD65	50 = 50W (4 LEDs) 75 = 75W (8 LEDs)	U = 120 - 270VAC	BK = Black BZ = Bronze GR = Gray WH = White	D = Dimmable

Notes:

- X5 LED is used for color enhancement and horticulture applications including living walls.