

ULTRA-SLIM DESIGN FOR VEGETATION & FLOWERING

FEATURES & SPECIFICATIONS

General Description

The NeoPAR is ideal for vertical rack and low mounting height applications. The NeoPAR 7 is designed to deliver high levels of photosynthetic photon flux (PPF) to produce quality flowering. The NeoPAR series provides the thinnest profile available with an onboard power pack. This slim design delivers unsurpassed light uniformity for damp locations. The NeoPAR series arrives fully assembled to limit labor cost with simple installation.

Mechanical Construction

The fully assembled product is a slim design compatible for different types of vertical farming. The overall size of the product is 45"x42"x3". The 7 LED bars mount to a structurally safe back plate. The LED bars are 3/8" thick x 2.65" wide x 45" long. The back plate spans across the equally spaced LED bars which houses the LED drivers, wiring and any controls systems that may be used as add on accessories. The product is easy to install using standard mechanical fastening systems.

Power Consumption

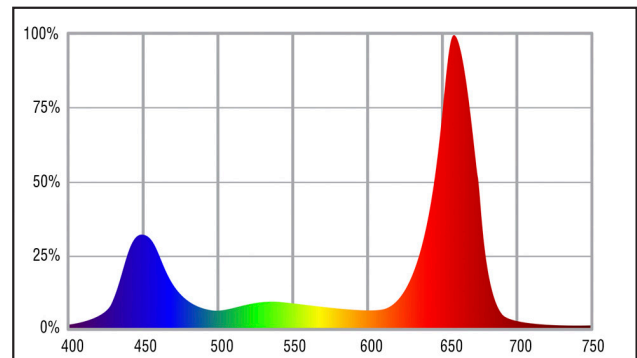
The NeoPAR is offered in two power levels to meet a variety of needs in grow operations. Whether the priority is high output for crops requiring a ton of light or maximize efficiency for energy restriction or rebates, there is a solution. Power ranges from 70-90 watts a bar depending on configuration.

Testing & Compliance

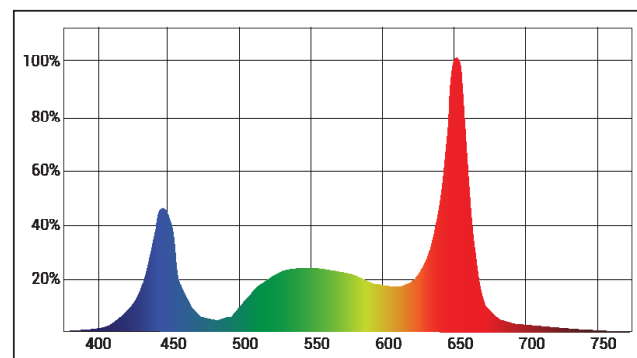
- RoHS compliant
- ETL listing for wet locations
- IP 67 Driver
- 5-year warranty
- L70: 50,000



SPECTRUM



F3 - This spectrum is known as the full cycle spectrum developed specifically to foster quality growth at each stage. It produces fast germination and high quality vegetative and flowering plants.



X6 - This full spectrum maximizes red and blue nm wavelengths to allow for optimal chlorophyll A and B absorption with a balance of green wavelengths to allow much deeper canopy penetration.

Manufactured in Austin, TX

NeoPAR 7

PART NUMBER ORDERING GUIDE

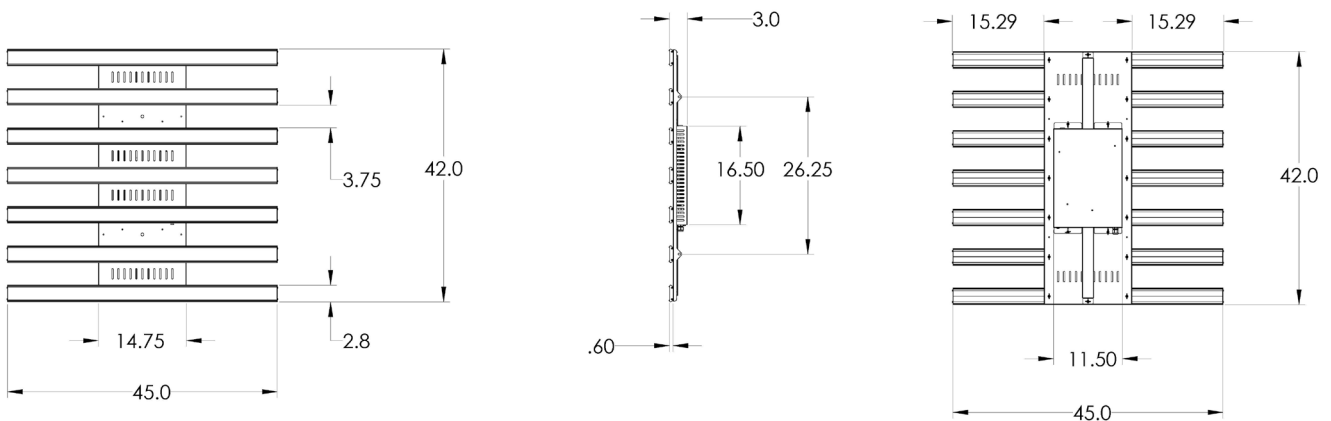
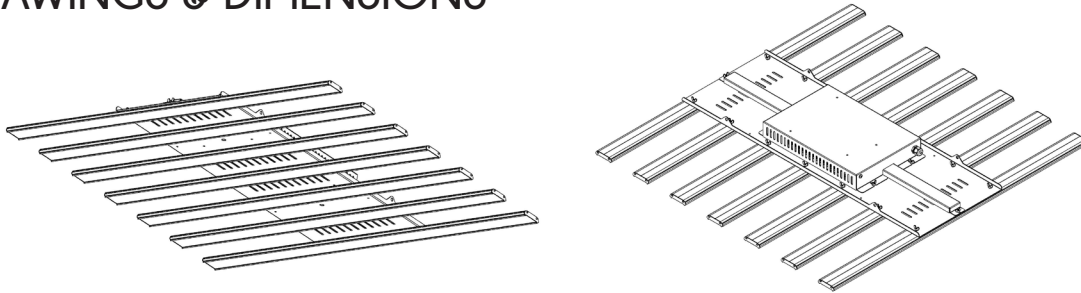
Series	# of bars	Output	Beam Angle	Lens/IP	Spectrum	Voltage	Dimming	Color	Cord	Plug*		
DH Damp	7	S Standard	12 120° beam	NL No Lens	X6	U 120-277	D 0-10	WH	10 (ft)	Blank None		
DHW Wet		E Efficiency								F3	H 277-480	P120
												P240
												P277

*Notes: Additional charges apply for including a 3-prong plug.

GENERAL ATTRIBUTES

Operating Frequency	50/60Hz
Operating Temperature	4°F to 104°F (-20°C to 40°C)
Dimensions	45" x 42" x 3"
Estimated Weight	32.5 lbs
Power Factor	>0.90
Warranty	5 years

LINE DRAWINGS & DIMENSIONS



NeoPAR 7

STANDARD SPECIFICATION

X6 SPECTRUM					
Input Voltage	120 VAC	240 VAC	277 VAC	347 VAC	480 VAC
PPF	1275				
Efficiency	1.93 $\mu\text{mol}/\text{J}$	2.04 $\mu\text{mol}/\text{J}$	2.05 $\mu\text{mol}/\text{J}$	1.99 $\mu\text{mol}/\text{J}$	2.00 $\mu\text{mol}/\text{J}$
Power Consumption	661 W	626 W	622 W	642 W	636 W
Current	5.5 A	2.66 A	2.33 A	1.97 A	1.36 A
BTU/hr	2254.0	2134.7	2121.0	2189.2	2168.8

F3 SPECTRUM					
Input Voltage	120 VAC	240 VAC	277 VAC	347 VAC	480 VAC
PPF	1450				
Efficiency	2.17 $\mu\text{mol}/\text{J}$	2.29 $\mu\text{mol}/\text{J}$	2.31 $\mu\text{mol}/\text{J}$	2.22 $\mu\text{mol}/\text{J}$	2.26 $\mu\text{mol}/\text{J}$
Power Consumption	667 W	632 W	628 W	652 W	643 W
Current	5.54 A	2.67 A	2.35 A	1.90 A	1.38 A
BTU/hr	2274.5	2155.1	2141.5	2223.3	2192.6

EFFICIENCY SPECIFICATION

X6 SPECTRUM					
Input Voltage	120 VAC	240 VAC	277 VAC	347 VAC	480 VAC
PPF	1200				
Efficiency	1.95 $\mu\text{mol}/\text{J}$	2.05 $\mu\text{mol}/\text{J}$	2.07 $\mu\text{mol}/\text{J}$	2.11 $\mu\text{mol}/\text{J}$	2.14 $\mu\text{mol}/\text{J}$
Power Consumption	616 W	585 W	581 W	568 W	562 W
Current	5.10 A	2.49 A	2.41 A	1.65 A	1.21 A
BTU/hr	2100.6	1994.9	1981.2	1936.9	1916.4

F3 SPECTRUM					
Input Voltage	120 VAC	240 VAC	277 VAC	347 VAC	480 VAC
PPF	1350				
Efficiency	2.24 $\mu\text{mol}/\text{J}$	2.36 $\mu\text{mol}/\text{J}$	2.37 $\mu\text{mol}/\text{J}$	2.29 $\mu\text{mol}/\text{J}$	2.31 $\mu\text{mol}/\text{J}$
Power Consumption	603 W	573 W	569 W	589 W	584 W
Current	5.00 A	2.44 A	2.15 A	1.72 A	1.26 A
BTU/hr	2056.2	1953.9	1940.3	2008.5	1991.4