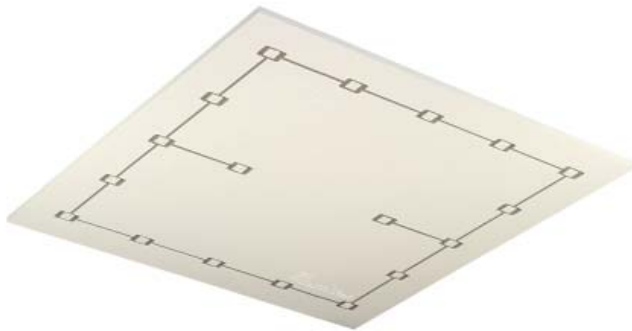


## STRATUS™ HIGH BAY 2X2 GRID



Class 1, 700mA LED driver is mounted directly to the back of the fixture. Input voltage options include 120-277VAC, 50/60Hz auto-sensing, 347VAC and 480VAC. Total harmonic distortion is below 20% and driver power factor is 0.90.

### LEDs

Aduro™ LEDs incorporate Illumitex's patented, DD65 Digital Distribution™ technology, which delivers 65% of all lumens within the 50° beam angle. Color temperature options include 3000K, 4000K and 5700K CCT. LED packages offer an IP66 ingress protection rating against the intrusion of dust and moisture. Optic material is Acrymid® TT70 PMMI, that is highly heat and chemical resistant and offers excellent transmission and clarity.

### Finish

Fixture finish is a high-performance Tiger Drylac® Super Durable powder coating suitable for both interior and exterior applications.

The Super Durable finish has excellent UV stability and weather resistance. Standard colors include white, gray, bronze and black. Custom colors are also available (contact factory for details).

## FEATURES & SPECIFICATIONS

### General Description

The Stratus™ LED 2X2 grid high bay is an ideal light fixture choice for applications including convention centers, manufacturing facilities, school gymnasiums, auditoriums, cafeterias, high ceiling retail, airports and auto dealerships. The Stratus™ is available in lumen packages equaling 175W through 400W metal halide at mounting heights ranging from 15 to 65 feet. The Stratus™ incorporates Illumitex's industry-leading and proprietary Aduro™ LEDs, resulting in near-perfect uniformity and exceptional delivered lumens and CBCP values in a sleek, aesthetically pleasing style.

### Mechanical Construction

The body of the Stratus™ is constructed of precision CNC-machined, solid aluminum plate. LEDs and wiring are embedded into the fixture body and protected with two-part silicone potting to provide an IP66 rating on the LED side of the fixture. Formed and anodized aluminum wiring covers protect wiring connections to driver. Stainless steel hardware is used throughout. The Stratus™ is designed to mount in standard 2X2 grid ceiling systems.

### Electrical Specifications

### Testing and Compliance

- 120,000-hour life to L90 @ 25°C ambient temperature
- 50,000-hour life to L70 @ 40°C ambient temperature
- -35°C to 55°C operating temperature range
- IP66 ingress protection rating option
- ETL/cETL Listed
- RoHS compliant
- DLC listed
- 5-year warranty



## PART NUMBER ORDERING GUIDE

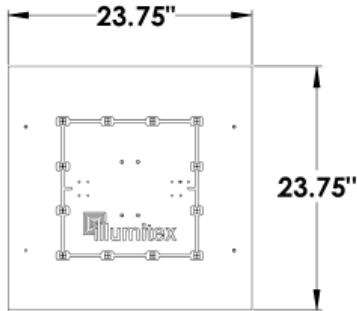
SHB	50							2X2
SERIES	BEAM ANGLE	# OF LEDs	COLOR TEMP (CCT)	VOLTAGE	FINISH <sup>2</sup>	DIMMING	MOUNTING & POWER FEED	TYPE
SHB = Stratus High Bay	50 = 50° Square	12 = 12 LEDs 18 = 18 LEDs 24 = 24 LEDs	BW = 3000K (82 CRI) DW = 4000K (78 CRI) GW = 5700K (72 CRI) X5 = Horticulture <sup>1</sup>	U = 120-277VAC 3 = 347VAC 4 = 480VAC UB = 120-277VAC with Battery Backup 3B = 347VAC with Battery Backup 4B = 480VAC with Battery Backup	BK = Black BZ = Bronze GR = Gray WH = White	N = Non-Dimmable D = Dimmable (0-10VDC) <sup>3</sup>	(blank) = flying leads in junction box C10 = 10-ft Power Cord <sup>4</sup>	2X2 = 2X2 lay-in style

Notes:

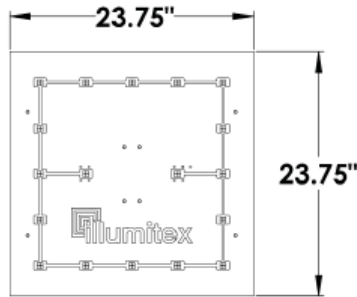
1. X5 LEDs are used for horticulture and color-enhancement applications; contact factory for details. Not dimmable.  
2. Colors listed are standard finishes. Custom colors available; contact factory for details.

3. Dimming control wire is a 10-ft, 2-conductor cable for C10 option  
4. C10 mounting option have a 10-ft, 3-conductor SO cord with no plug.

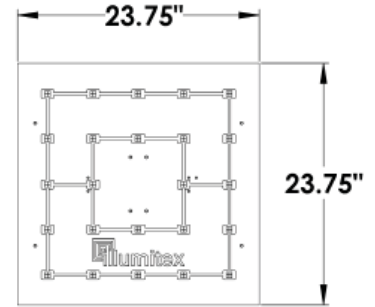
### DIMENSION LINE DRAWINGS



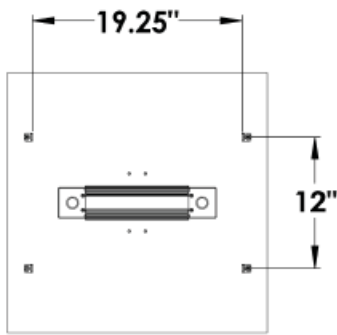
SHB5012



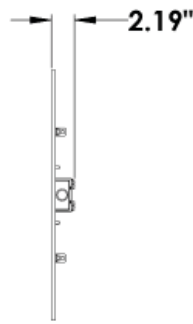
SHB5018



SHB5024



View of top for all models  
(standard with leads in box for contractor power connection)



View of side for all models

### LUMINAIRE PERFORMANCE

Series	Input Watts (W)	Lumens (4000°K)	Lumens/Watt (4000°K)	Lumens (5700°K)	Lumens/Watt (5700°K)	Dimensions (in)	Weight (lbs)	Metal Halide Equivalent
SHB5012	105	9173	87.1	10322	98.0	23.75 square	11	175W
SHB5018	158	13767	87.1	15483	98.0	23.75 square	17	250W
SHB5024	214	18582	86.8	20998	98.1	23.75 square	23	400W

### ACCESSORIES (Field installed - order separately)

Cat Logic	Description	Cat Logic	Description
ACT-5	5FT Aircraft Cable Hangers (2) with toggle end connectors	ACH-5	5FT Aircraft Cable Hangers (2) with captive hook end connectors
ACT-10	10ft Aircraft Cable Hangers (2) with toggle end connectors	ACH-10	5FT Aircraft Cable Hangers (2) with captive hook end connectors